

Please read these instructions carefully before starting.

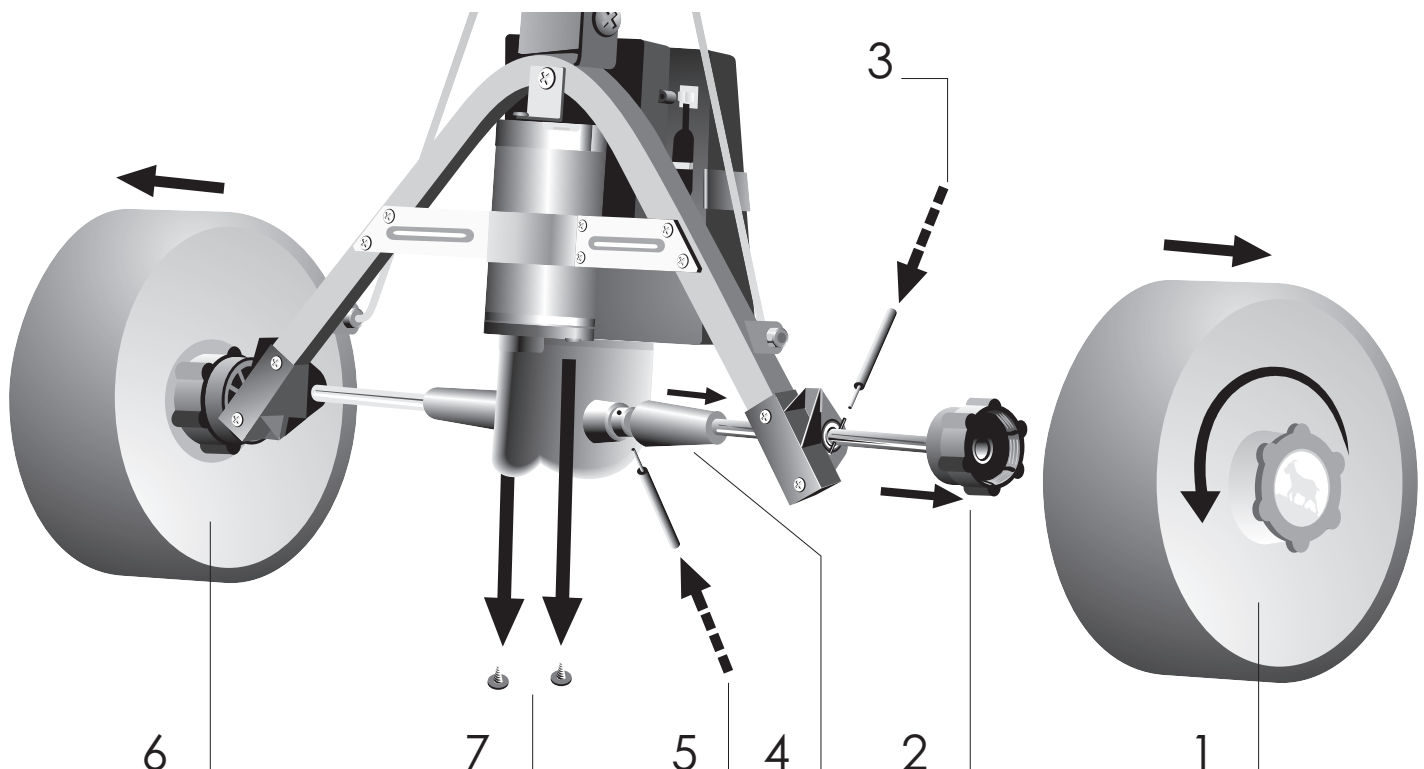
FITTING INSTRUCTIONS - REPLACING THE GEAR BOX

AKIT6

- 1) Remove one wheel.
- 2) Pull the clutch off the spindle. The clutch is located on the hub of the wheel and is accessible once the wheel is removed.
- 3) A steel pin through the spindle, approximately 30mm long, is revealed when the clutch is removed. Using a hammer and supplied punch, knock out the pin.
- 4) Slide the two cone shaped covers away from either side of the gearbox.
- 5) On one side of the gearbox another similar pin can be found, although this one is flush with the gearbox spindle. Knock out this pin.
- 6) Withdraw the spindle by pulling on the wheel which is still attached to the trolley.
- 7) Remove the two screws and washers holding the gearbox to the motor. With the gearbox dis-engaged from the motor, remove the coupling from the motor base to reveal a small "D" shaped spindle. Replace with the new complete coupling.
- 8) Fit the new unit and re-assemble, reversing this procedure, using the new fixings supplied.

Notes:

- a) Leave the two screws holding the gearbox to the motor slightly loose until the spindle is re-fitted and secured.



Hill Billy Powered Golf Trolley

PO Box 533 Sittingbourne Kent ME10 9BX England
Telephone 01795 413830 Fax 01795 413831